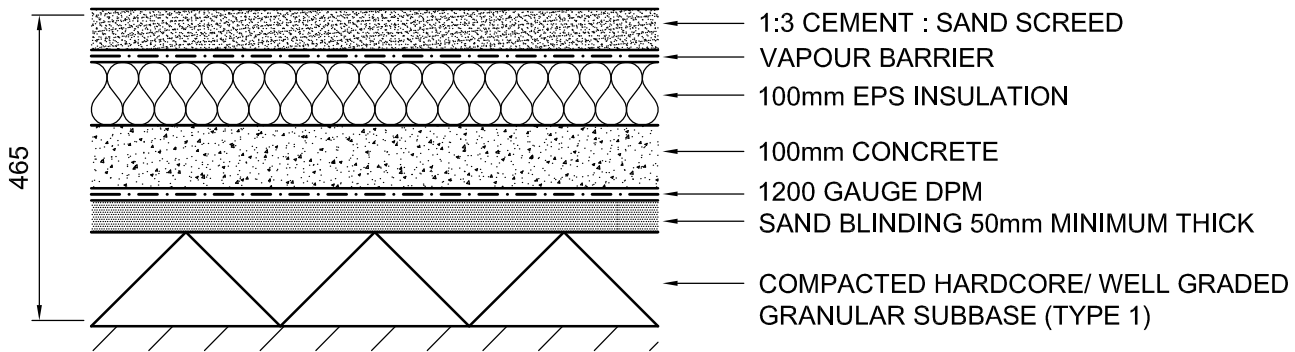


DESIGN GUIDE

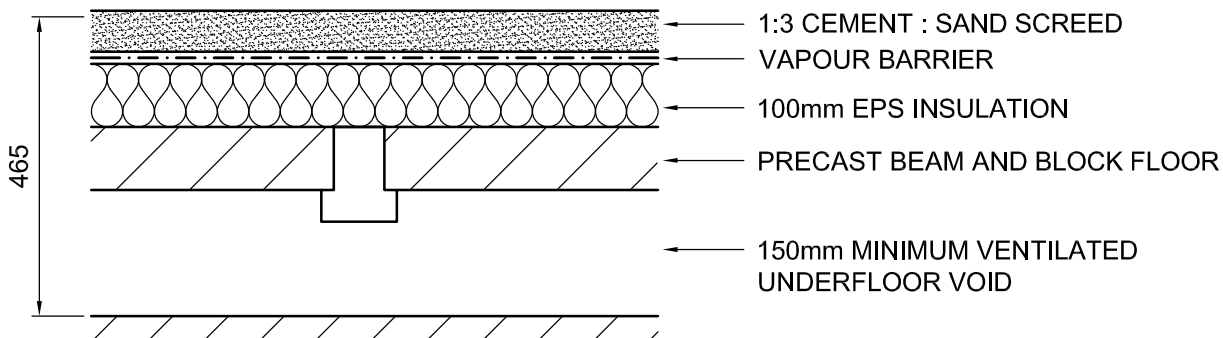
APPLICATION: GROUND FLOOR CONSTRUCTION - DOMESTIC BUILDINGS

CONVENTIONAL CONSTRUCTION (TYPICAL)

A



OR B



THE ECOLOGICAL ALTERNATIVE - **TECHNOpor**[®] PERIMETER 50

